

# PLUTO WS47305

WALL

PROJECT



WS47305-BG  
Brushed Gold



WS47305-CH  
Chrome

## SPECIFICATION DETAILS

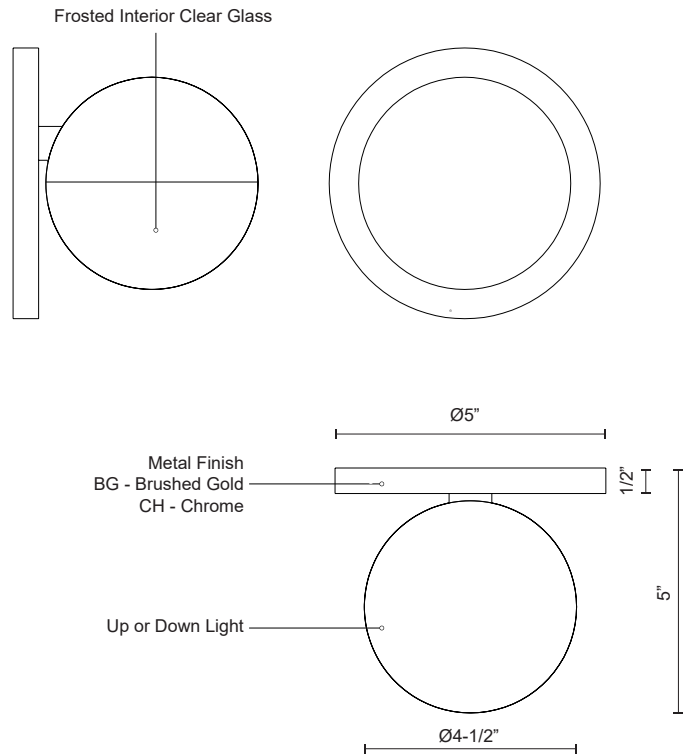
<b>Fixture Dimensions</b>	D4-1/2" x E5"
<b>Light Source</b>	AC LED Module
<b>Wattage</b>	6W
<b>Total Lumens</b>	400lm
<b>Delivered Lumens</b>	CH-270lm
<b>Voltage</b>	120V
<b>Color Temperature</b>	3000K
<b>CRI (Ra)</b>	90CRI
<b>Optional Color Temps</b>	2700K - 5000K Available, Minimum Order Quantities Apply
<b>LED Rated Life</b>	50,000 hours
<b>Dimming</b>	100% - 10%, ELV Dimmer (Not Included)
<b>Glass Details</b>	Frosted Interior Clear Glass
<b>Location</b>	Dry
<b>Mounting Style</b>	All Orientation; Wall;
<b>CEC Title 24 JA8</b>	Yes, JA8-2022
<b>Canopy Dimensions</b>	D5" x E1/2"
<b>Paint Finish</b>	BG01; CH01;

\* For custom options, consult factory for details.

\* For warranty information, please visit [www.kuzcolighting.com/warranty](http://www.kuzcolighting.com/warranty)

## DESCRIPTION

A timeless spherical geometry is inherent to the Pluto pendant. A split line at the globe equator separates complementary plated LED housing from translucent acrylic diffuser. The multiple color options make the fixture a perfect furnishing accent or, in multiples, a focal point.



# KUZCO

CANADA: 19054 28TH AVENUE - SURREY, BC V3Z 6M3  
USA: 3035 E. LONE MOUNTAIN ROAD - LAS VEGAS, NV 89081

[WWW.KUZCOLIGHTING.COM](http://WWW.KUZCOLIGHTING.COM)

© 2019 KUZCO LIGHTING. ALL RIGHTS RESERVED.

## COMMENT

